

REV.	Description	Date
1	rated voltage, contact resistance revise	2016/4/19
2	rated current revise	2018/10/5

### Specification of connector

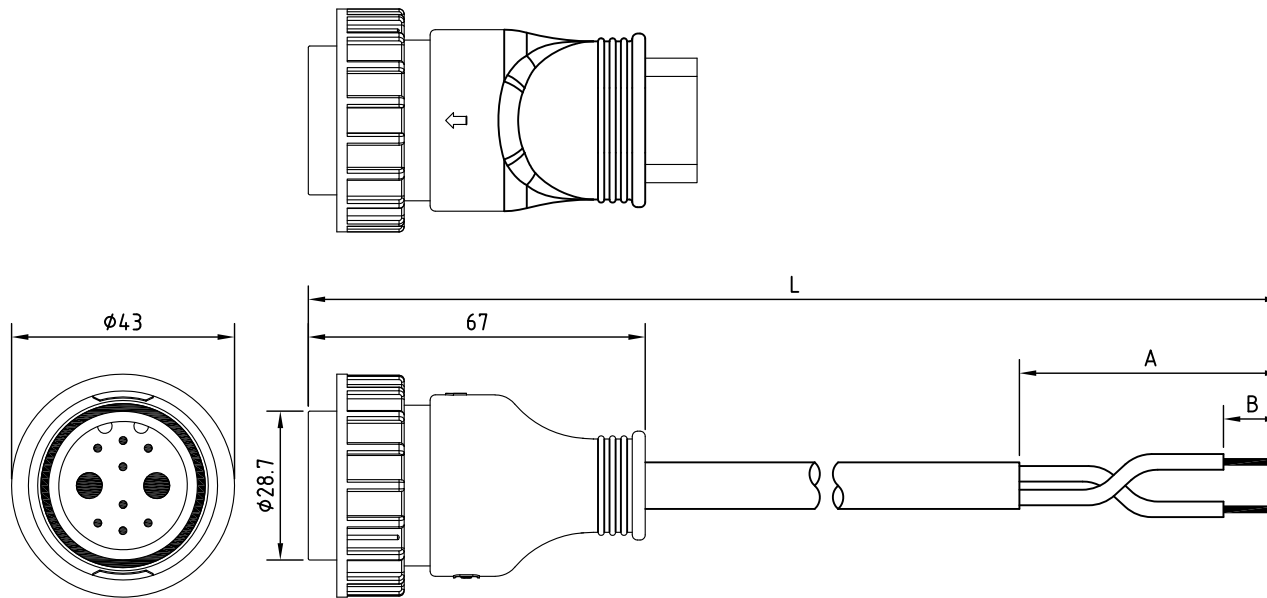
Locking system : Twist Lock  
 Shell protection : IP67  
 Rated voltage : 360V  
 Rated current : Large pin 35A  
                   : Small pin 10A  
 Contact resistance : Large pin <5mΩ  
                       : Small pin <30mΩ

### Materials

Pin contact : brass  
 Contact plating : gold  
 Male insert : PA  
 Ring nut : PA  
 O-ring : rubber

### Specification of cable

Material	Jacket	PVC	PUR



RoHS



**Unicable Co., Ltd. 國陽電業有限公司**

5F., No. 111-33, Sec. 4, San Ho Road., San Chung Dist., New Taipei City, Taiwan, R.O.C.  
<http://www.unicable.com.tw> TEL:+886-2-2286-2122 FAX:+886-2-2286-1010

DATE	2018/10/5	PART NO.	UT-D283M1-3-XP
DWN	GINA	REV.	2
CHK			
ITEM	High Power	UNIT	MM